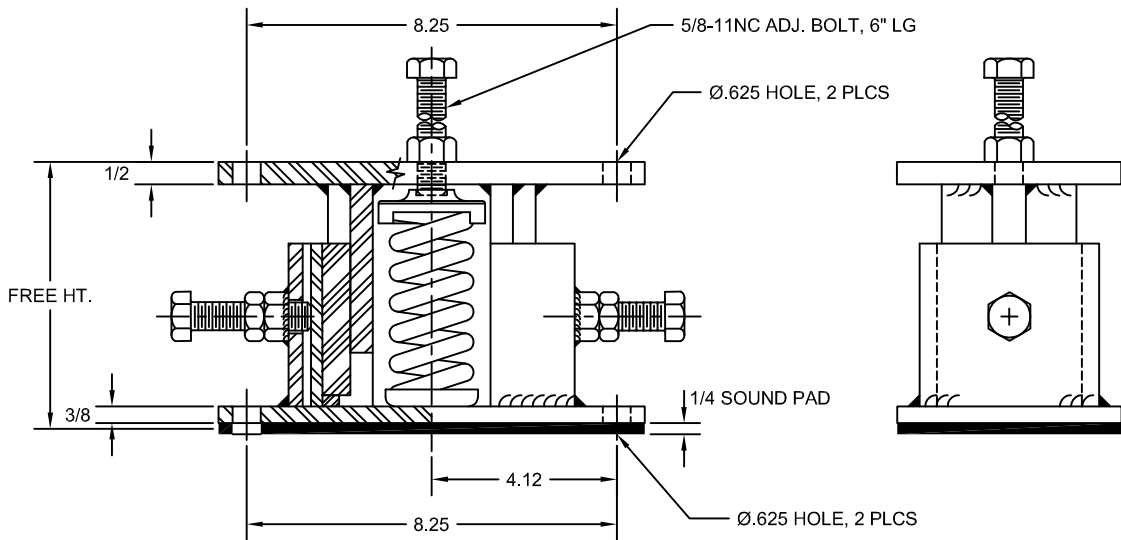
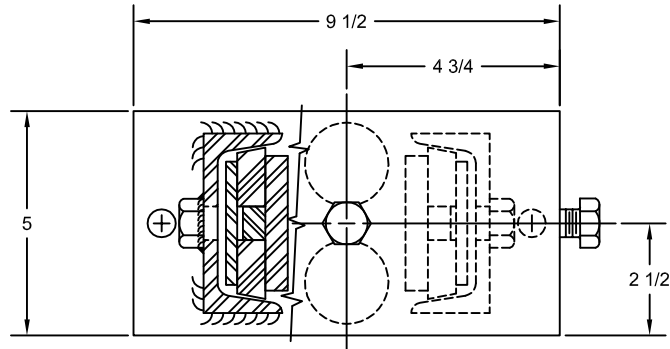


REV.	DESCRIPTION	DATE	BY

PART NUMBER	ISOLATOR MODEL	MAX. STEADY (LBS)	MAX. IMPACT (LBS)	ISOLATOR CONSTANT (LBS)	MIN. FREE HEIGHT	COLOR CODE
605867-50	SKD-50	100	▲	50	6	YELLOW
605867-51	SKD-51	250	▲	125		ORANGE
605867-52	SKD-52	400	▲	240		BROWN
605867-53	SKD-53	600	▲	380		BLACK
605867-54	SKD-54	1000	▲	690		GREEN
605867-55	SKD-55	1,400	▲	1120		BLUE
605867-56	SKD-56	2400	▲	3300	PURPLE	
605867-45	SKD-45	650	520	880	5 1/8	BROWN
605867-46	SKD-46	900	720	1600		RED
605867-47	SKD-47	1200	960	2450		PURPLE
605867-57	SKD-57	2200	1650	4260		BLUE
605867-68	SKD-68	2600	2450	5300	GREEN	



NOTES:

1. ▲ CURRENTLY UNDER ENGINEERING REVIEW.
2. MINIMUM OPERATING HEIGHT IS 5 1/8", OR FREE HEIGHT MINUS SPRING DEFLECTION, WHICHEVER IS GREATER.
4. ALL DIMENSIONS IN INCHES. INTERPRET PER ANSI Y14.
5. STANDARD FINISH:
 - A. ONE COAT STANDARD VMC COLOR
 - B. SPRING: POWDER COATED
 - C. HARDWARE: ELECTRO-ZINC PLATED
6. EST. UNIT WT: 30 LBS

OTHER MATERIALS, COMPOUNDS, OR FINISHES WITH EQUAL OR SUPERIOR PROPERTIES MAY BE SUBSTITUTED AS THEY BECOME AVAILABLE.

CERTIFIED FOR:

JOB NAME: _____
 CUSTOMER : _____
 CUSTOMER P.O.: _____
 SALES ORDER: _____

MODEL SKD 100-2600 LBS. SPRING ISOLATOR WITH ADJUSTABLE SNUBBER



THE VMC GROUP
The Power of Together
 Bloomingdale, NJ 07403
 Houston, TX 77041

SCALE :

NONE

SHEET:



DRAWING NO.:

REVISION